



全自動各式餃子生產機 --- 餃子王

Full Auto. All Kinds Dumpling Making Machine- DUMPLING KING

出皮不發燙，不用冷卻、不傷筋性

No stress dough extruder

Doesn't need cooling

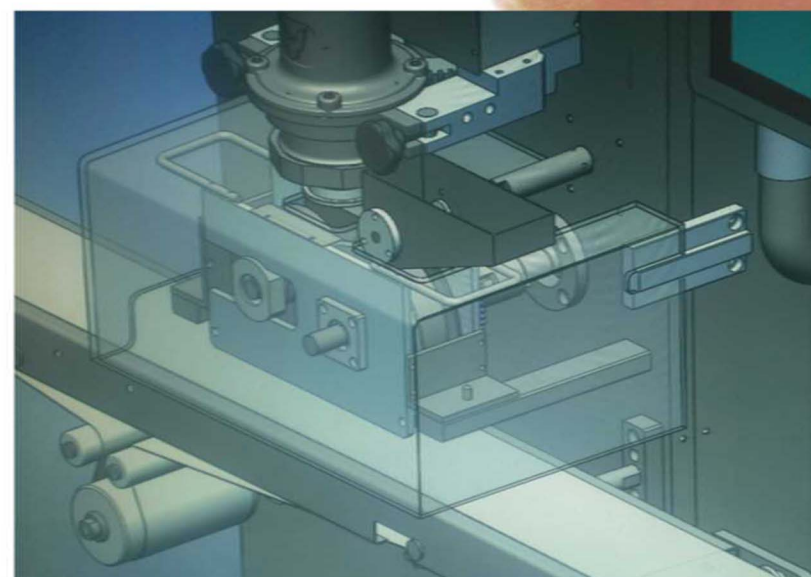
Doesn't damaged the dough



蝦餃Hakuo
Shrimp Dumpling



保持全蝦及筍丁
Whole shrimp & bamboo
cube are not damaged



安全護罩
Safety Device

Mod.: HVD-500

Power: 2.5HP

WxDxH=142cmx90cmx150/198cm

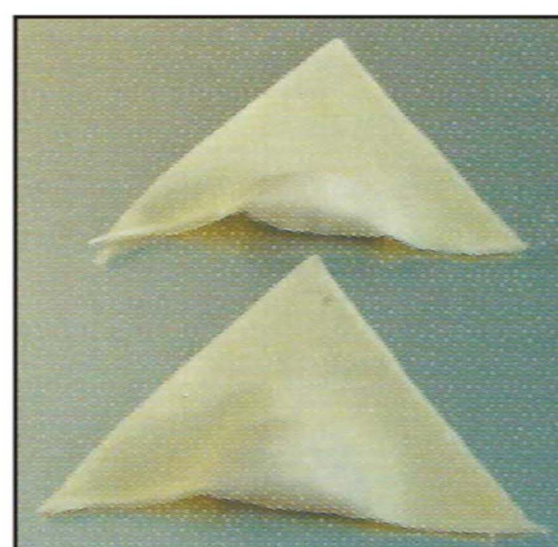
專利下餡設計，保持全蝦、肉丁、筍丁及豆仁，不破壞顆粒完整性
Patent filling design, keep original particle as shrimp, bamboo, meat cube, don't damaged



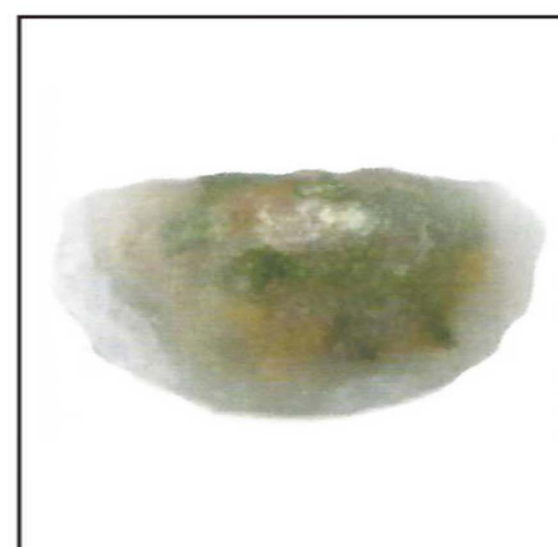
手工水餃
Home made dumpling



煎餃
Frying dumpling



三角餃.雲吞
Samosa, Wonton



粉菓
Crystal dumpling



各式義大利餃
Pasta